

Hanger Bolt Mount



MG-MR-HB

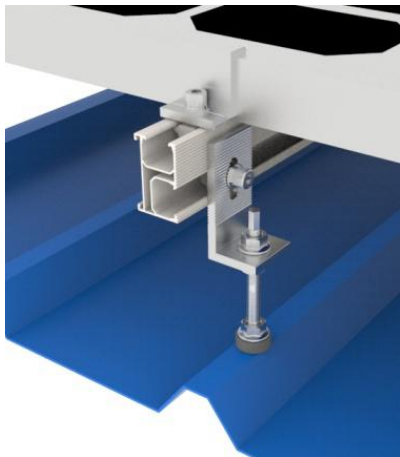
MG-MR-HB-S

Hanger Bolt apply to install on both wooden rafter and steel purlin. Both types can be applied with L Foot and plate. There are three sizes most common use, M10x200mm, M12x200mm and M12x300mm Hanger bolt.

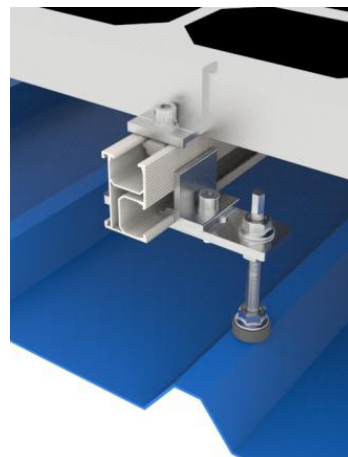
Features

1. Fast and simple installation
2. Made of SUS 304
3. Highly corrosion resistant surface treatment
4. Waterproof EPDM rubber integrated
5. Wooden rafter and steel purlin options

Hanger Bolt Mount Series



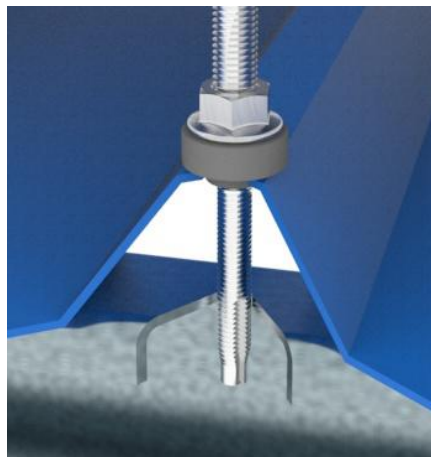
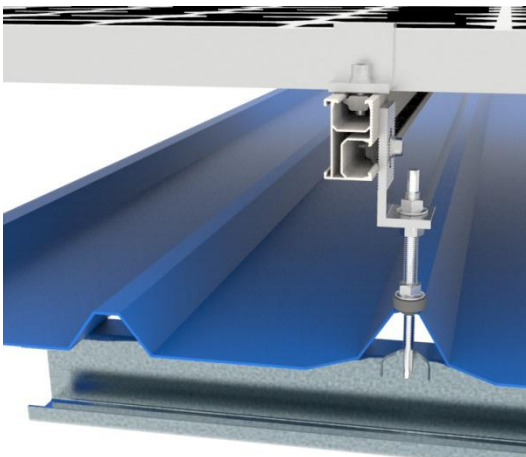
MG-MR-HB-01



MG-MR-HB-02



Application



MG-MR-HB-S-01